

The kit is a standalone 3 hour non-maintained unit emergency lighting unit suitable for use with a variety of ceiling mounting 3W LED 700mA Minispot units. The unit use a 4.8V 2.0 Ah Nickel Cadmium (NiCd) battery to provide a 500mA output to the LED Emitter in emergency conditions.

Installation Instructions

1. Cut a 43mm diameter hole in the ceiling tile.
2. Connect the LED Bezel to the main assembly via the 4 way connector.
3. Connect the 2 core cable as follows - Black Unswitched (Battery Charging) 240V and Blue to Neutral.
4. Only connect the battery when the Un-switched supply is fully assured. Even though these units are protected with a Deep Discharge Protection Circuit, the Batteries can be damaged by being left in an uncharged state for prolonged periods. Ensure correct polarity.
5. When the supply is present and the battery connected, check that the green LED indicator is illuminated showing that the supply is healthy and the batteries are charging.
6. Pass the whole assembly through the 40mm aperture and clip the LED housing into the ceiling.

Technical Information

Supply Voltage	230-240 Volts AC 50/60 Hz
Power Rating	1.8W – 11mA $\lambda = 0.89$
Insulation between supply & battery	Double Reinforced
Emergency Duration	3 Hours
Battery Type	4.8V 2Ah Nickel Cadmium
Charge Current	100mA \pm 25mA
Recharge Time	24 Hours
Ballast Lumen Output	100%
Output Voltage in Emergency	4 Volts MAX
Battery Discharge Current	550mA
Open Circuit Voltage (U-OUT)	5 Volts
Tc Max	70°C Module / 55°C Battery
Output Current for LED	500mA
Ceiling Cut Out	43mm
Minimum Void	110mm
Dimensions - Module	165mm x 26.5mm x 21.5mm (FC = 157mm)
- Battery	252mm x \varnothing 23mm
Weight	Module 90g/Battery 205g

	Colour	Temperature	Emergency Lumens
No Lens (Wide Angle)	Cool White	6000K	149
Open Area Lens	Cool White	6000K	161
Corridor Lens	Cool White	6000K	151

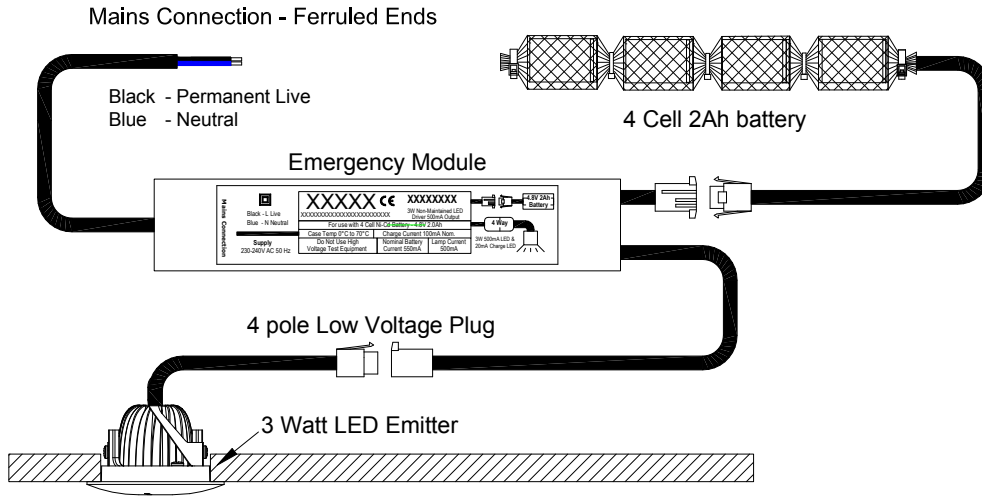
Important

It is recommended that the unit is installed by a competent person ensuring the installation complies with the necessary standards. Voltacon accepts no responsibility for injury, damage or loss, which may arise as a result of incorrect installation, operation or maintenance.

The conversion requires an Un-switched supply for charging the battery.

ISOLATE THE MAINS SUPPLY AND DISCONNECT THE BATTERY BEFORE INSTALLATION OR MAINTENANCE.

Typical Connection Wiring Diagram



Please refer to separate data sheets for more information on the heads.

Testing/Commissioning

- Ensure the Load is connected.
- Connect the battery.
- Switch on the Unswitched Supply - Check the Charge LED illuminates.
- Switch off the Unswitched Supply - Check the Charge LED extinguishes and the load LED illuminates at a reduced output.
- Enter the commissioning date on the Battery Pack.
- Switch on the Unswitched Supply

Luminaire Ref/Location			In Case of difficulty, contact the Installation Engineers:-							
			Tel: _____							
Full Recharge Time 24 Hours			Duration 3 Hours				Lamp Type - LED			
ROUTINE TEST RECORD										
	Year 1		Year 2		Year 3		Year 4		Year 5	
Monthly Test	Signed	Date	Signed	Date	Signed	Date	Signed	Date	Signed	Date
Functional										
Functional										
Functional										
Functional										
Functional										
Functional										
Functional										
Functional										
Functional										
Functional										
Functional										
Three Hour										